

PAR (Preston) Ltd
 Club Street,
 Bamber Bridge
 Preston, PR5 6FN
 t. +44 (0) 1772 322114
 f. +44 (0) 1772 627524
 e. prestonsales@par-group.co.uk

PAR (Manchester) Ltd
 Warre Street,
 Ashton-Under-Lyne
 Lancashire, OL6 8NW
 t. +44 (0) 161 339 6600
 f. +44 (0) 161 343 2088
 e. sales@par-group.co.uk

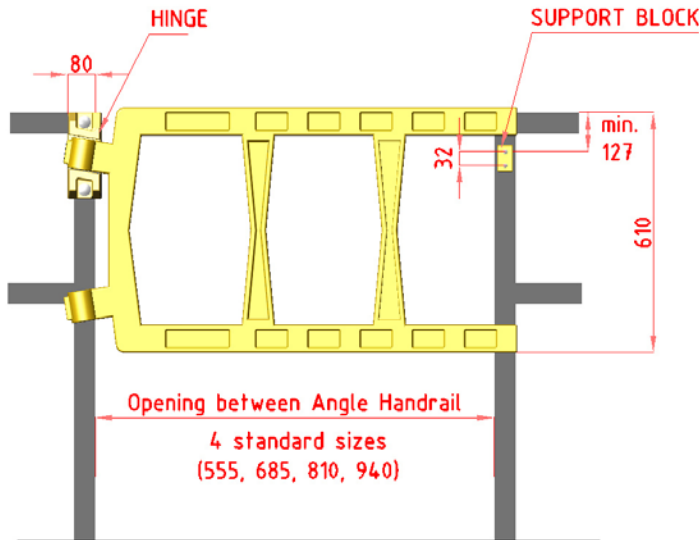
PAR (Yorkshire) Ltd
 Warre Street,
 Ashton-Under-Lyne
 Lancashire, OL6 8NW
 t. +44 (0) 01924 444529
 f. +44 (0) 161 343 2088
 e. sales@par-group.co.uk

PAR (North East) Ltd
 t. +44 (0) 1772 322114
 f. +44 (0) 1772 627524
 e. northeastales@par-group.co.uk

TYPICAL INSTALLATION OF DG – Double Bar Gate

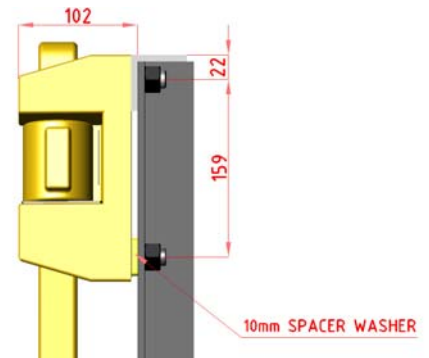
RIGHT HAND Double Bar Gate (DG-37R) is shown.

NOTE : Only one hinge and one support block are required for the DG gate.



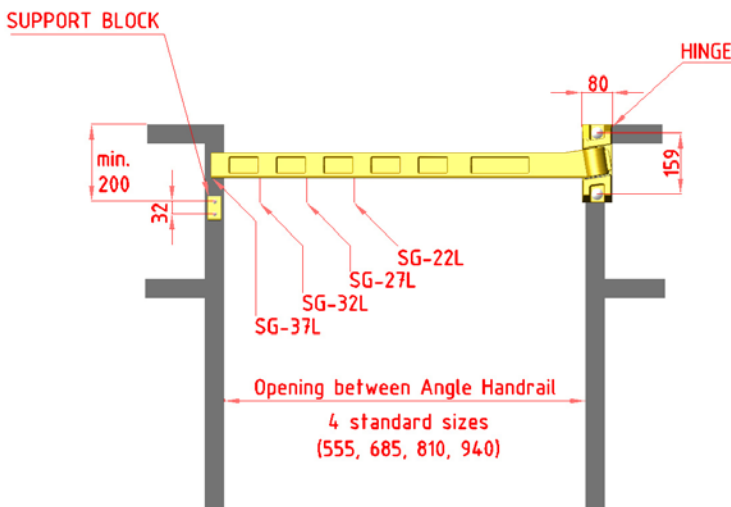
HINGE DETAILS

Make 2 – 18 mm holes for the carriage bolts



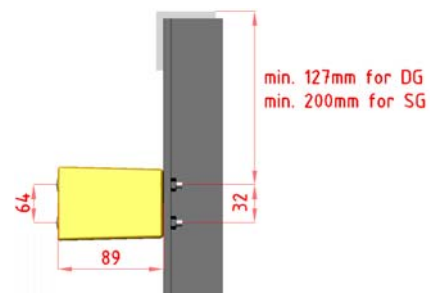
TYPICAL INSTALLATION OF SG – Single Bar Gate

LEFT HAND Single Bar Gate (SG-37L) is shown.



SUPPORT BLOCK DETAILS

Make 2 – 8 mm holes for the carriage bolts





PAR (Preston) Ltd
Club Street,
Bamber Bridge
Preston, PR5 6FN
t. +44 (0) 1772 322114
f. +44 (0) 1772 627524
e. prestonsales@par-group.co.uk

PAR (Manchester) Ltd
Warre Street,
Ashton-Under-Lyne
Lancashire, OL6 8NW
t. +44 (0) 161 339 6600
f. +44 (0) 161 343 2088
e. sales@par-group.co.uk

PAR (Yorkshire) Ltd
Warre Street,
Ashton-Under-Lyne
Lancashire, OL6 8NW
t. +44 (0) 01924 444529
f. +44 (0) 161 343 2088
e. sales@par-group.co.uk

PAR (North East) Ltd
t. +44 (0) 1772 322114
f. +44 (0) 1772 627524
e. northeastsales@par-group.co.uk

Certification of polyurethane safety gates:

PAR confirm that the double bar gates meets the European standard EN ISO 14122 part 3/ 4:

Mechanical Properties of ISP (Instant Set Polymer)

Density, kg/dm ³	1.16	ASTM D792
Flexural Modulus Of Elasticity, (N/mm ²)	1931	ASTM D790
Tensile Strength, (N/mm ²)	59	ASTM D638
Compressive Strength, (N/mm ²)	63	ASTM D695
Elongation, %	12	ASTM D638
Heat Distortion Temperature, °C	88	ASTM D648
Izod Impact, ft-lbs/inch of notch	1.0	ASTM D256
Hardness, Shore D	76	-----

SINGLE GATES	WEIGHT [kg] [KG]
SG-22L/R	3.20
SG-27L/R	3.40
SG-32L/R	3.80
SG-37L/R	4.10
DOUBLE GATES	
DG-22L/R	6.40
DG-27L/R	6.80
DG-32L/R	8.20
DG-37L/R	8.60